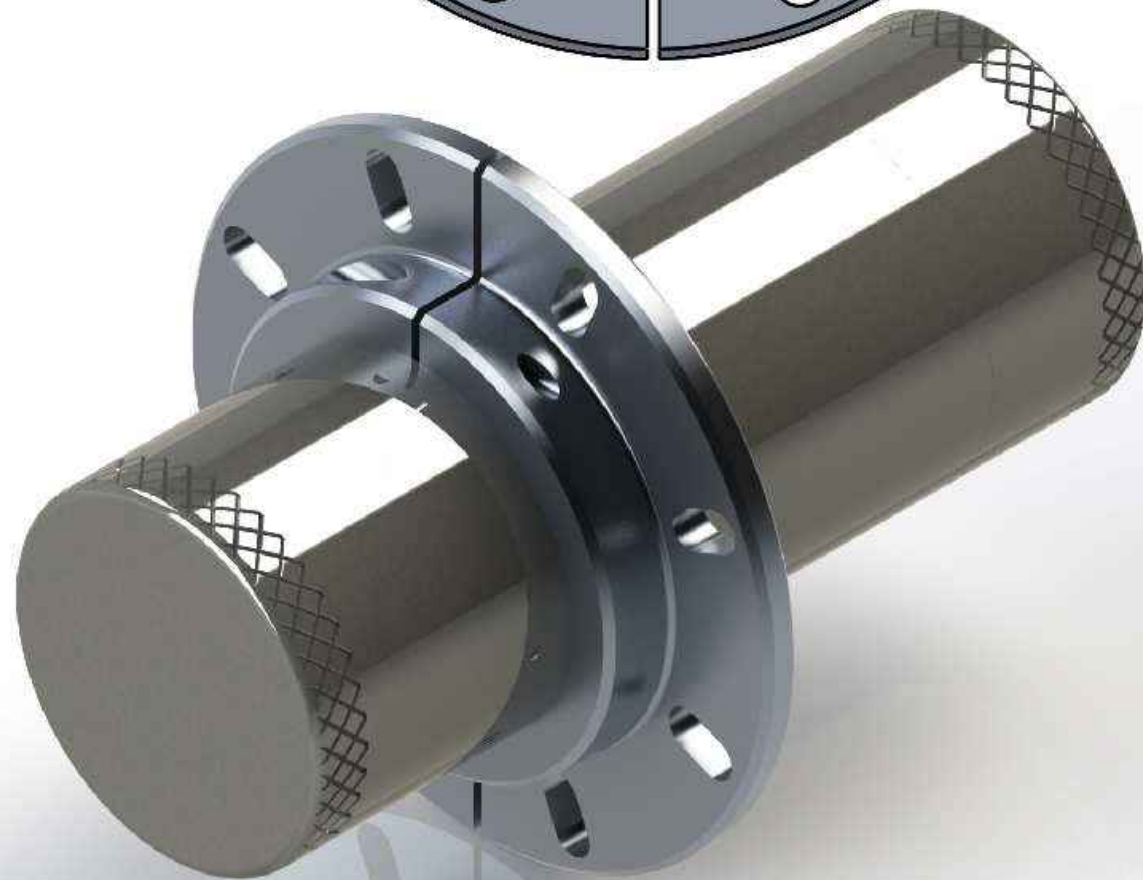
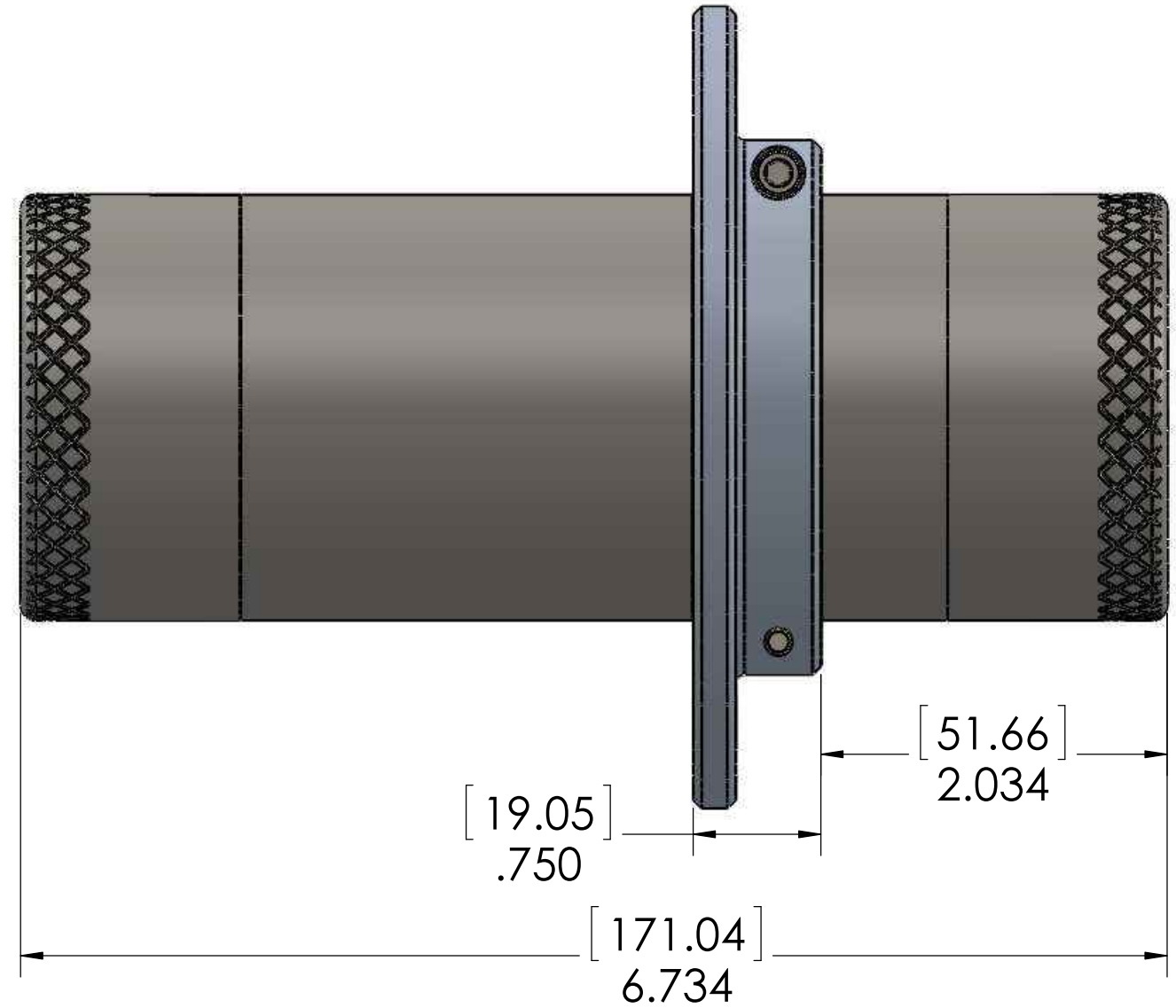
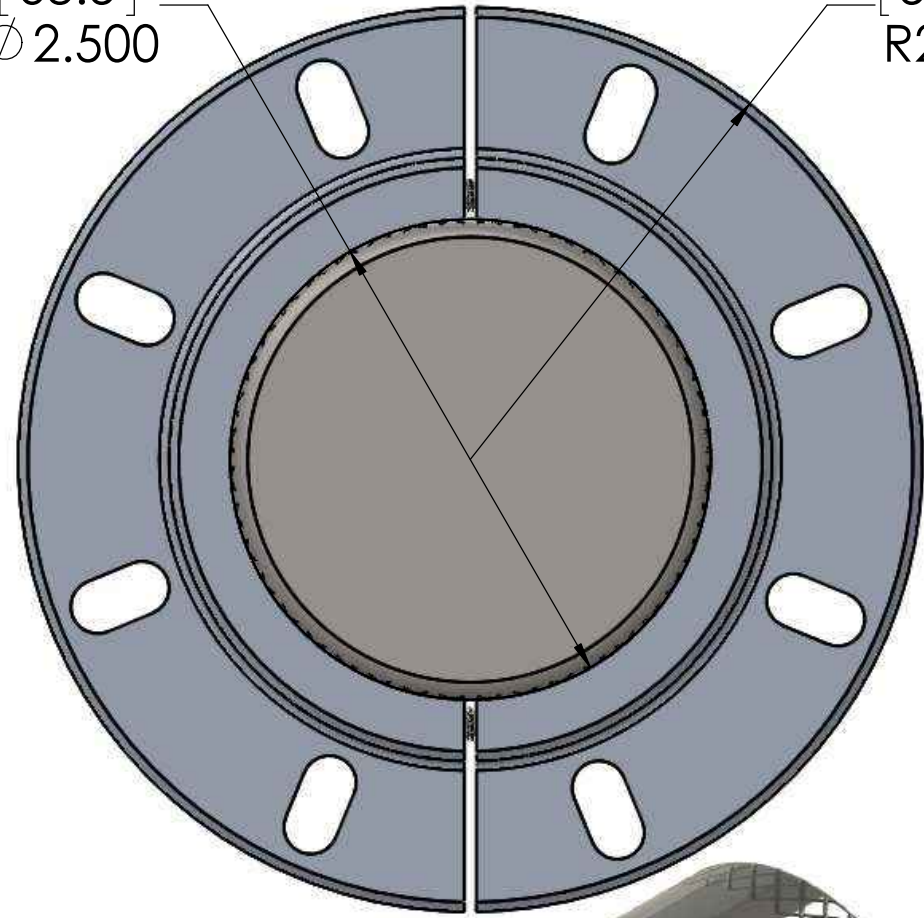


REV.	DESCRIPTION	DATE	APPROVED
1	RELEASE TO PRODUCTION	4/23/15	KRW


[63.5]
 \varnothing 2.500

[59.82]
 R2.355



V:\X400\Mechanical Models\2D\ 81-03-0074-00 GENERAL ASSEMBLY, X400-2D WITH FLANGE

PROPRIETARY AND CONFIDENTIAL
 THE INFORMATION CONTAINED IN THIS DRAWING IS THE SOLE PROPERTY OF CDI. ANY REPRODUCTION IN PART OR AS A WHOLE WITHOUT THE WRITTEN PERMISSION OF CDI IS PROHIBITED.

		UNLESS OTHERWISE SPECIFIED:				 <p>TITLE: GENERAL ASSEMBLY, X400-2D WITH FLANGE</p>			
		DIMENSIONS ARE IN INCHES		DRAWN					
		TOLERANCES:		CHECKED					
		FRACTIONAL \pm 1/32		ENG APPR.					
		ANGULAR: \pm 2°		MFG APPR.					
		TWO PLACE DECIMAL \pm .03		Q.A.					
		THREE PLACE DECIMAL \pm .010		COMMENTS:					
		INTERPRET GEOMETRIC TOLERANCING PER: ASME Y14.5M - 1994		MATERIAL		SIZE			
		MATERIAL		FINISH		DWG. NO.			
NEXT ASSY		USED ON		DO NOT SCALE DRAWING		REV			
APPLICATION		DO NOT SCALE DRAWING		ECN #:		SCALE: 1:2			
						WEIGHT:			
						SHEET 1 OF 1			

SIZE **B** DWG. NO. **81-03-0074-00** REV **1**