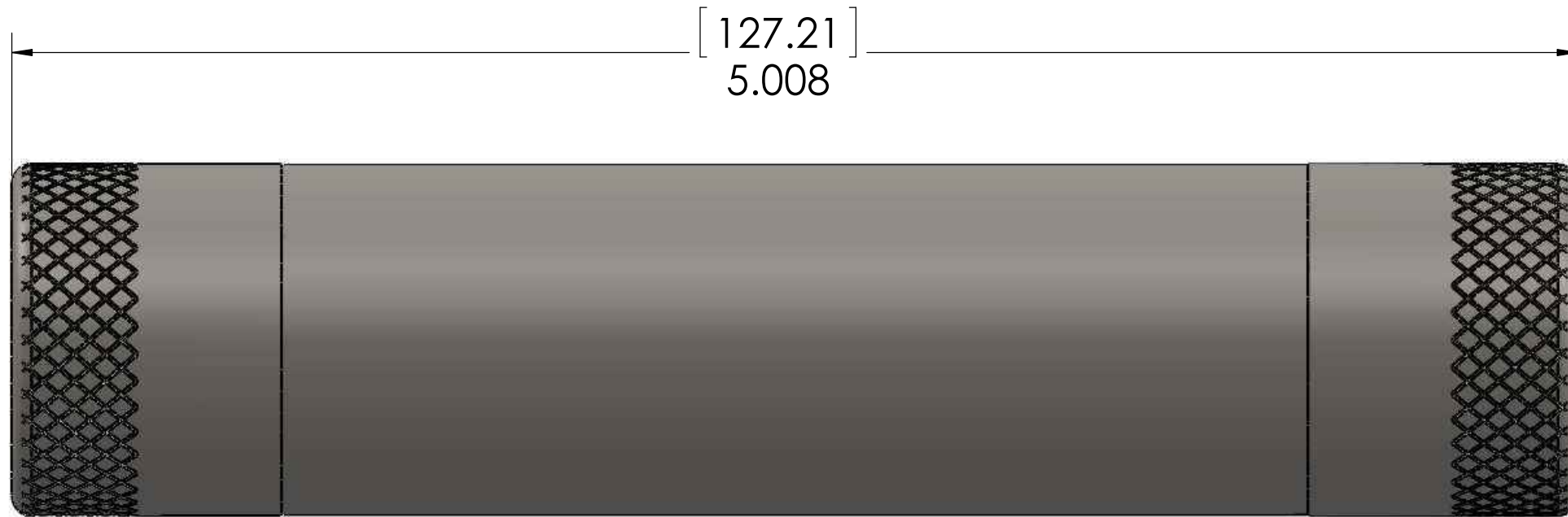
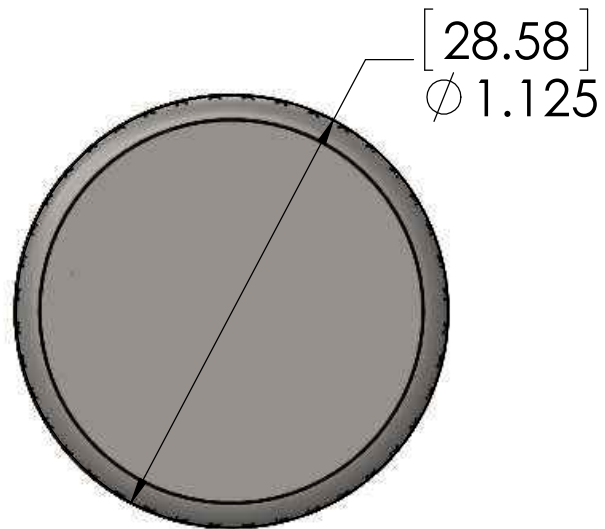



REV.	DESCRIPTION	DATE	APPROVED
1	RELEASE TO PRODUCTION	4/22/2015	KRW



PROPRIETARY AND CONFIDENTIAL
 THE INFORMATION CONTAINED IN THIS DRAWING IS THE SOLE PROPERTY OF CDI. ANY REPRODUCTION IN PART OR AS A WHOLE WITHOUT THE WRITTEN PERMISSION OF CDI IS PROHIBITED.

		UNLESS OTHERWISE SPECIFIED: DIMENSIONS ARE IN INCHES TOLERANCES: FRACTIONAL \pm 1/32 ANGULAR: \pm 2° TWO PLACE DECIMAL \pm .03 THREE PLACE DECIMAL \pm .010	NAME	DATE	 CDI TITLE: GENERAL ASSEMBLY, X200-2AA
			DRAWN		
			CHECKED		
			ENG APPR.		
			MFG APPR.		
		INTERPRET GEOMETRIC TOLERANCING PER: ASME Y14.5M - 1994	Q.A.		SIZE DWG. NO. REV B 81-03-0099-00 1
		MATERIAL	COMMENTS:		
NEXT ASSY	USED ON	FINISH			SCALE: 1:1 WEIGHT: SHEET 1 OF 1
APPLICATION		DO NOT SCALE DRAWING	ECN #:		

V:\X200\X200-2AA\ 81-03-0098-00 GENERAL ASSEMBLY, X200-2AA NOT PRELIM