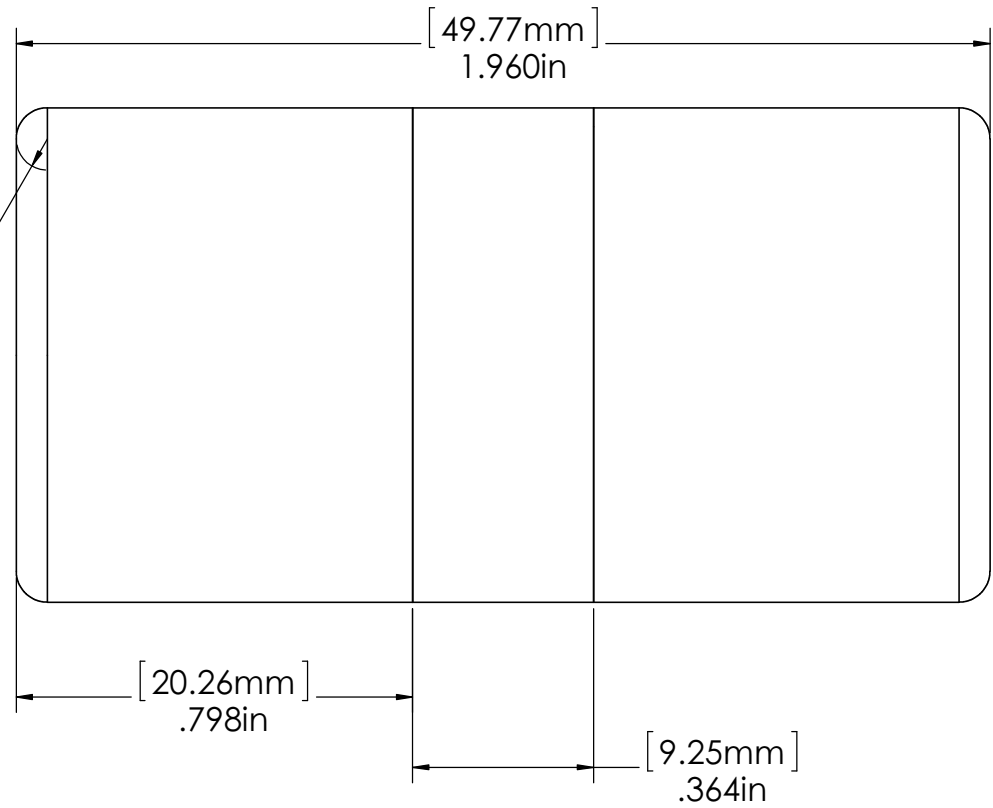
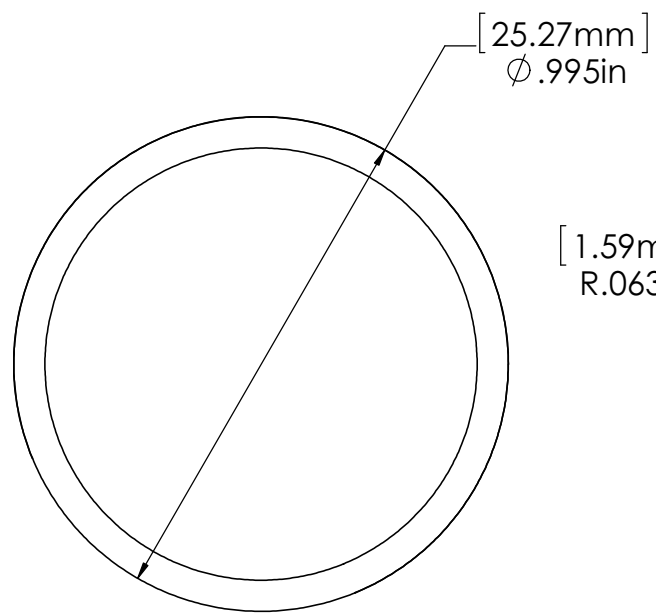


REV.	DESCRIPTION	DATE	APPROVED
1	RELEASE FOR PRODUCTION	11/27/2014	KRW



V:\X100\Mechanical models\1N\ 81-05-0107-00, ASSEMBLY, X100-1N

<b>PROPRIETARY AND CONFIDENTIAL</b> THE INFORMATION CONTAINED IN THIS DRAWING IS THE SOLE PROPERTY OF CDI. ANY REPRODUCTION IN PART OR AS A WHOLE WITHOUT THE WRITTEN PERMISSION OF CDI IS PROHIBITED.		UNLESS OTHERWISE SPECIFIED: DIMENSIONS ARE IN INCHES TOLERANCES: FRACTIONAL ± 1/32 ANGULAR: ± 2° TWO PLACE DECIMAL ± .03 THREE PLACE DECIMAL ± .010		NAME	DATE	
		INTERPRET GEOMETRIC TOLERANCING PER: ASME Y14.5M - 1994		DRAWN	KRW	
NEXT ASSY      USED ON		MATERIAL 304L SS		CHECKED		TITLE: <b>ASSEMBLY, X100-1N</b>
APPLICATION      DO NOT SCALE DRAWING		FINISH 125RMS		ENG APPR.		
				MFG APPR.		SIZE    DWG. NO.    REV <b>B</b> <b>81-05-0107-00</b> <b>1</b>
				Q.A.		SCALE: 2:1    WEIGHT:    SHEET 1 OF 1
				COMMENTS:		
				ECN #:		