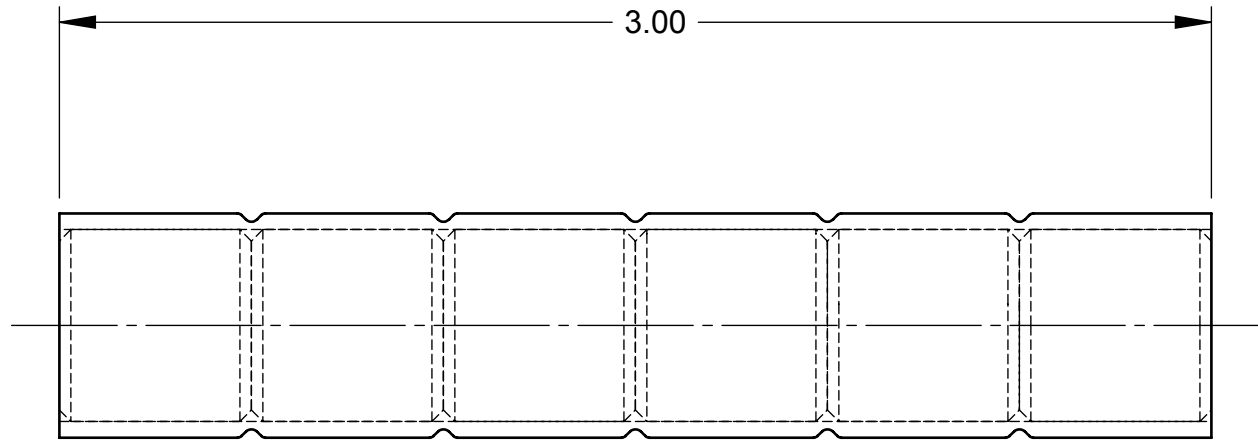
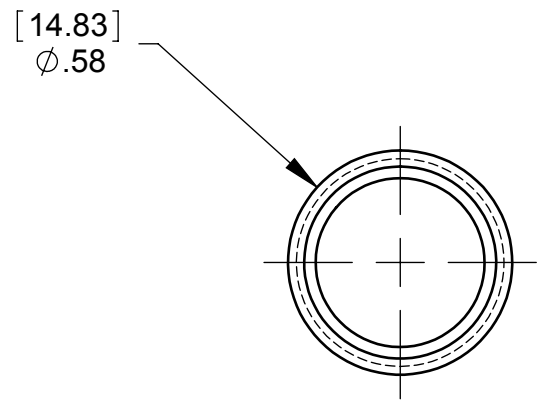


REVISIONS			
REV.	DESCRIPTION	DATE	APPROVED
A	RELEASE REVISION	7/29/2008	DS



- NOTES:
- DIMENSIONS ARE IN INCHES AND [MILLIMETERS].
 - APPROXIMATE WEIGHT: .18 LBS [.08 KG].

PROPRIETARY AND CONFIDENTIAL
THE INFORMATION CONTAINED IN THIS DRAWING IS THE SOLE PROPERTY OF CDI. ANY REPRODUCTION IN PART OR AS A WHOLE WITHOUT THE WRITTEN PERMISSION OF CDI IS PROHIBITED.

		UNLESS OTHERWISE SPECIFIED:		NAME	DATE
		DIMENSIONS ARE IN INCHES	DRAWN	DS	7/28/2008
		TOLERANCES:	CHECKED		
		FRACTIONAL ± 1/32	ENG APPR.		
		ANGULAR: ± 2°	MFG APPR.		
		TWO PLACE DECIMAL ± .03	Q.A.		
		THREE PLACE DECIMAL ± .010	COMMENTS:		
		INTERPRET GEOMETRIC TOLERANCING PER: ASME Y14.5M - 1994			
		MATERIAL			
		FINISH			
NEXT ASSY	USED ON				
APPLICATION		DO NOT SCALE DRAWING			



TITLE:
**GENERAL ARRANGEMENT,
CD52-M0 MAGNET**

SIZE	DWG. NO.	REV
B	81-02-0019-GA	A

SCALE: 2/1 WEIGHT: SHEET 1 OF 1

U:\Models\CD52 Bandit\Magnets\ 81-02-0019-GA - M0 MAGNET, CD52